

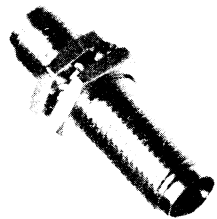
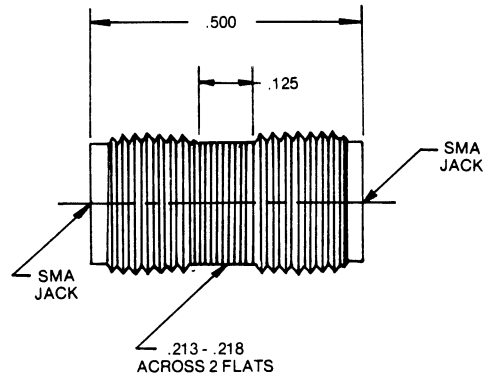
# SMA IN SERIES ADAPTERS



## Adapter Jack/ Jack

Epoxy Captivated Contact

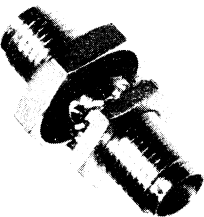
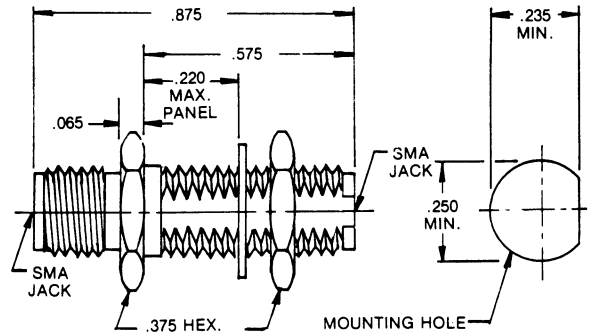
2992-6001  
SF2992-6001



## Bulkhead Adapter Jack/ Jack

Captive Center Contact

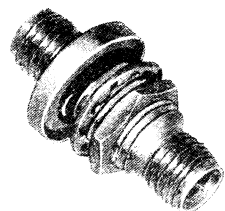
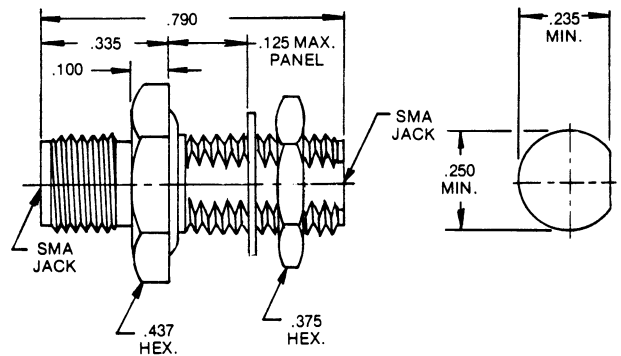
2990-6005  
SF2990-6005  
2990-6001 Without "D" Flat  
SF2990-6001 Without "D" Flat



## Bulkhead Adapter with Gasket Jack/ Jack

Epoxy Captivated Contact

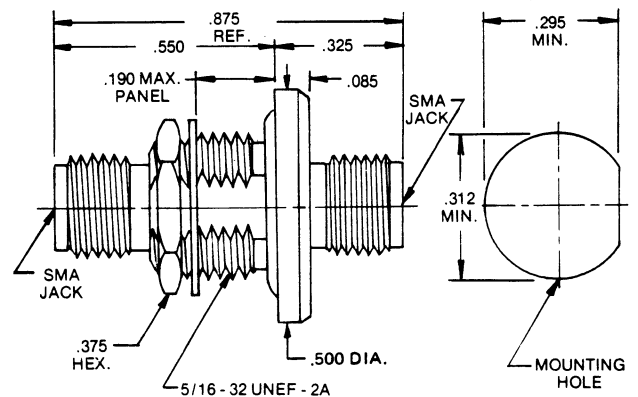
2990-6002  
SF2990-6002



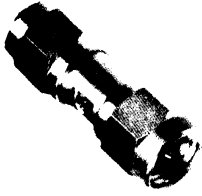
## Hermetically Sealed Bulkhead Feedthrough with Gasket Jack/ Jack

Hermetic

2991-6002



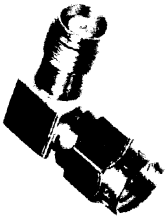
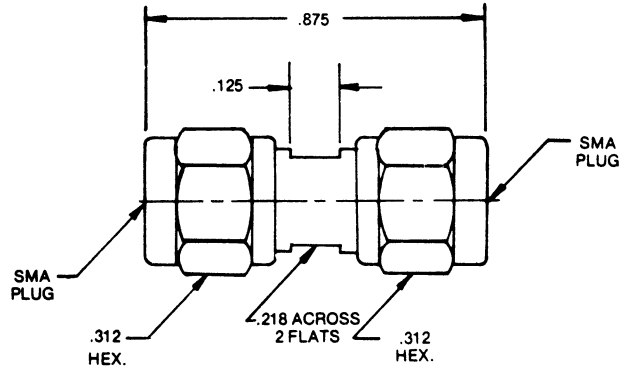
## SMA IN SERIES ADAPTERS



### Adapter Plug/Plug

Epoxy Captivated Contact

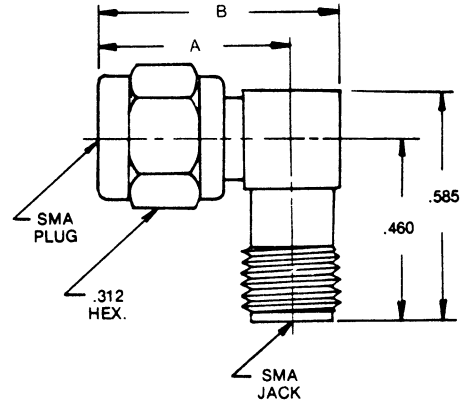
2993-6001  
SF2993-6001



### Right Angle Adapter Plug/Plug

PART NUMBER	DIM (In)	
	A	B
DC-12.4 GHz		
2994-6001	.500	.625
DC-18 GHz		
2994-6002	.427	.552

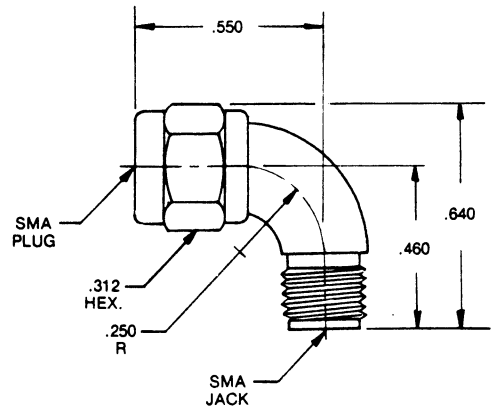
Add suffix SF to Part Number for  
Stainless Finish Version



### Radius Right Angle Plug/Jack Adapter

One Piece Contact  
Lower VSWR

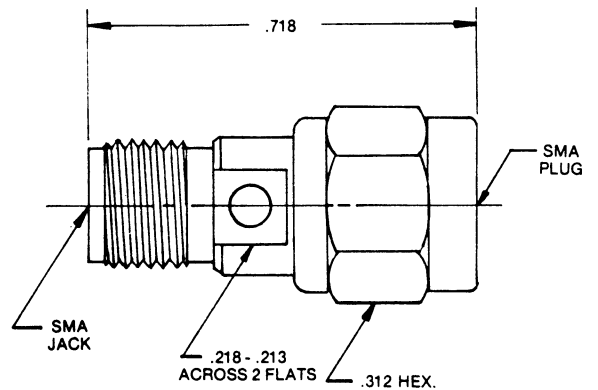
2994-6002  
SF2994-6002



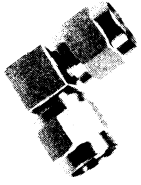
### Adapter Plug to Jack

Connector Saver  
Epoxy Captivated Contact

2997-6003  
SF2997-6003



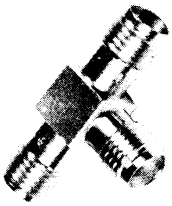
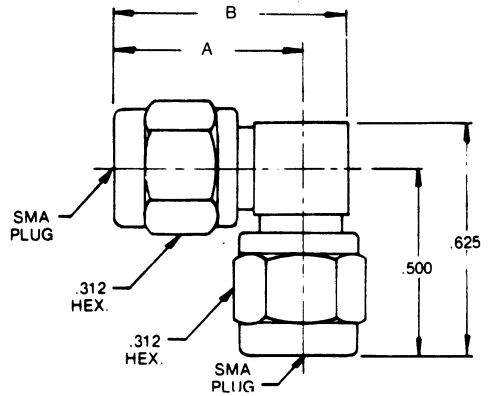
# SMA IN SERIES ADAPTERS



## Right Angle Adapter Plug/Plug

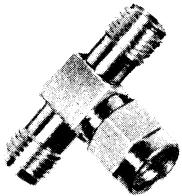
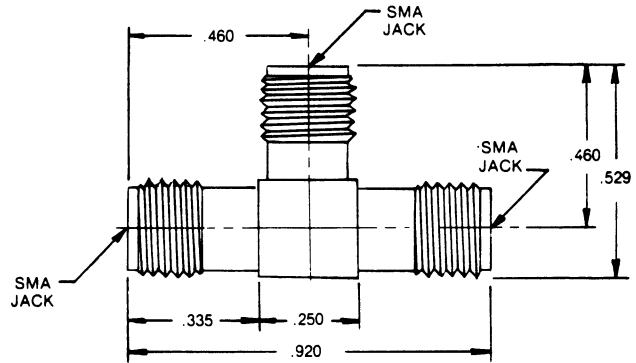
PART NUMBER	DIM (in)	
	A	B
DC-12.4 GHz		
2993-6005	.500	.625
DC-18 GHz		
2993-6650	.427	.552

Add suffix SF to Part Number for Stainless Finish Version



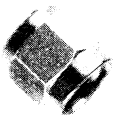
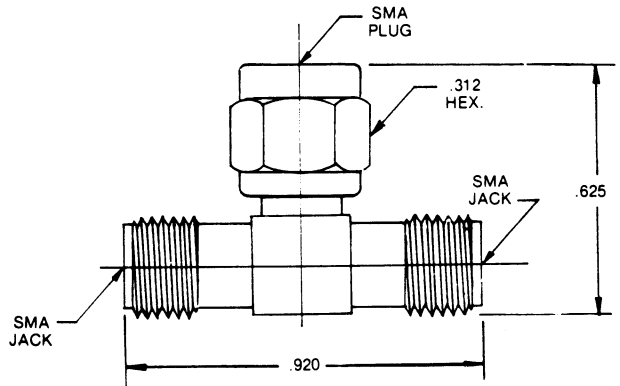
## Adapter/Tee Jack/Jack/Jack

2995-6001



## Tee Adapter Jack/Plug/Jack

2996-6001



## Dust Cap Plug

2998-6001

